

Name: _____ Date: _____

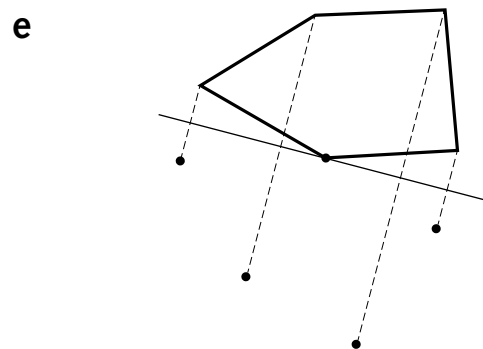
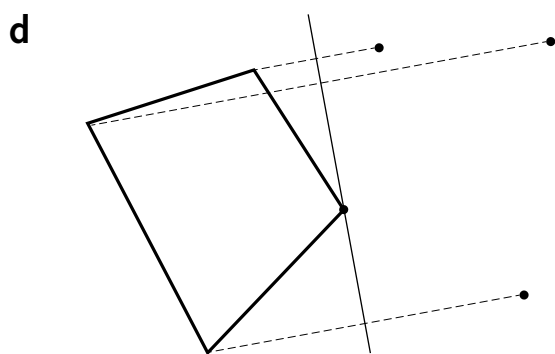
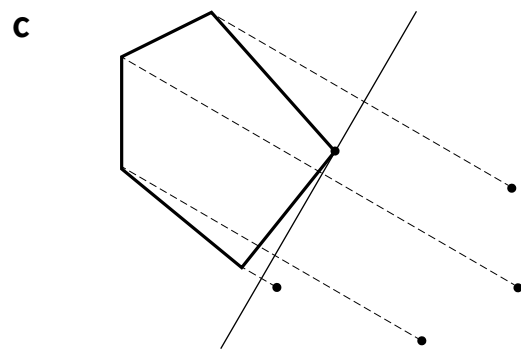
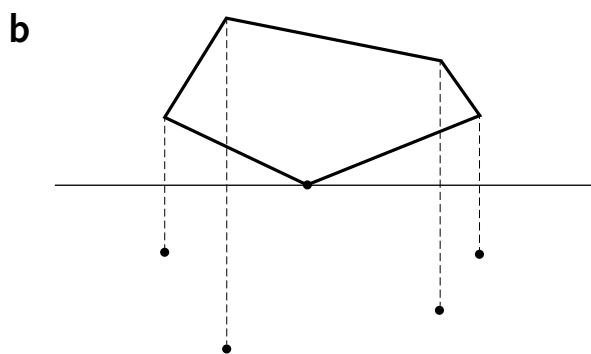
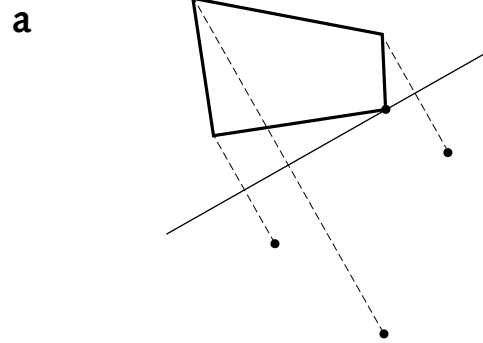
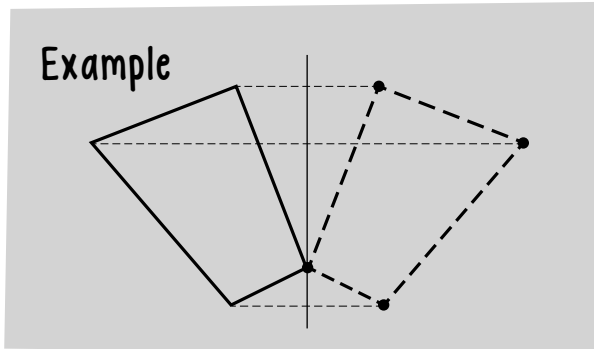
Clear reflections

Recognise where a shape will be after reflection in a line of symmetry

- 1 The vertices of each shape are reflected in the line of symmetry. Using your ruler, draw an accurate reflection of each shape.

You will need:

- ruler



- 2 Draw an accurate reflection of this shape in the grid.

